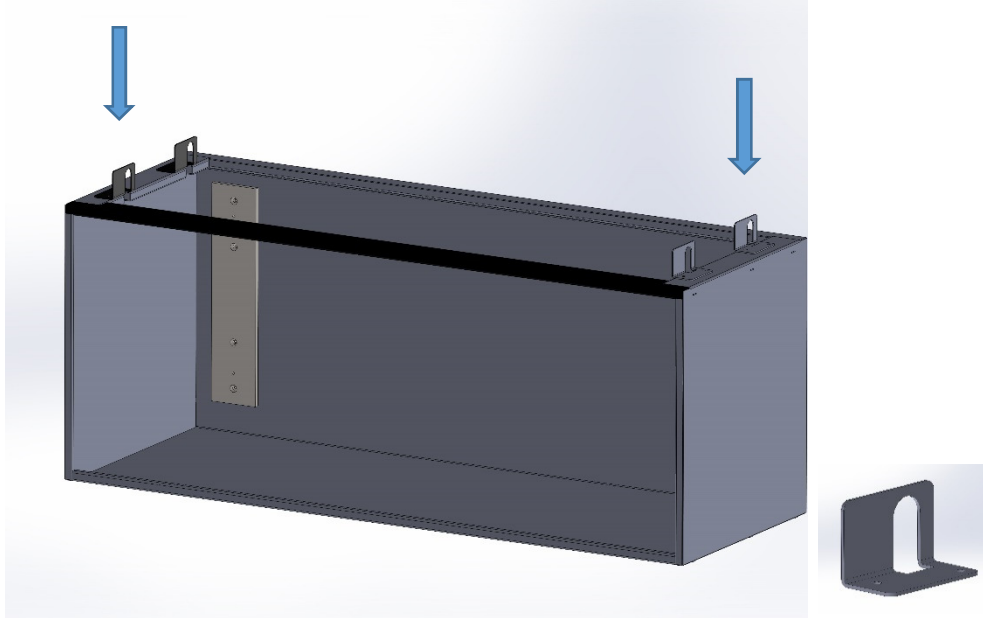
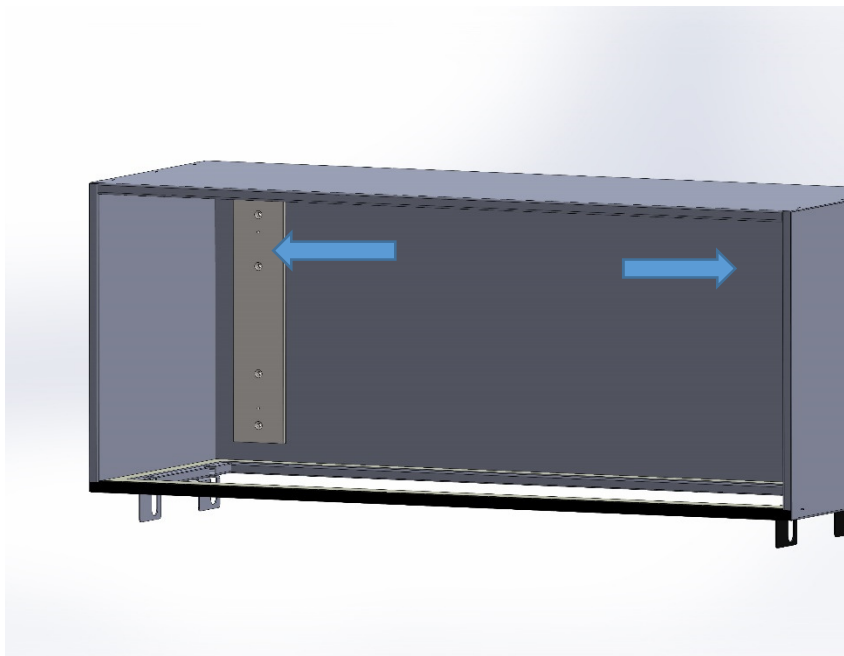


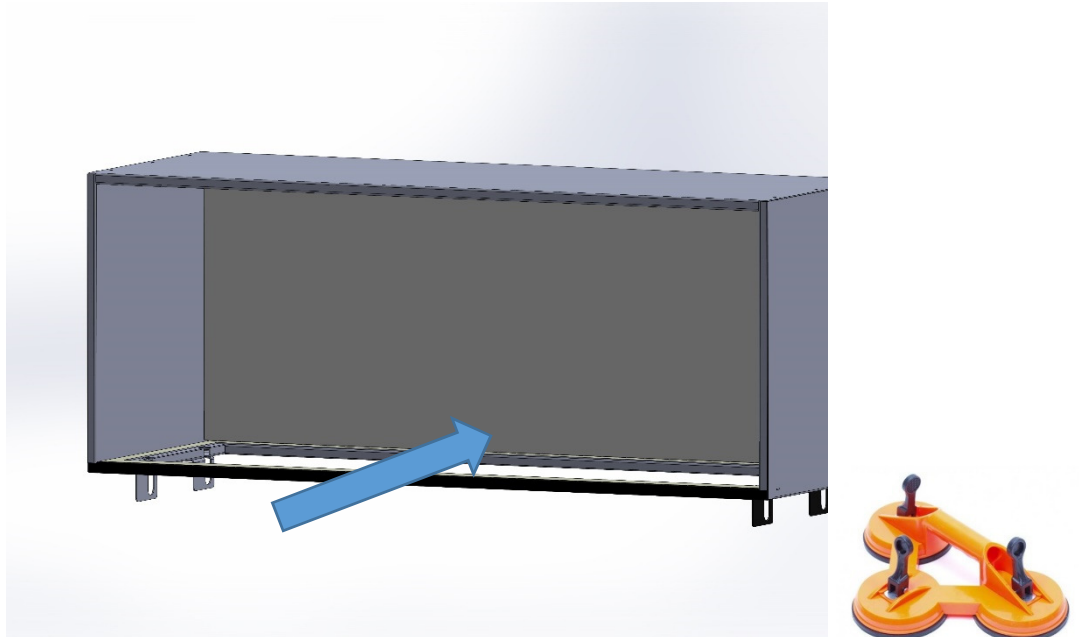
# Incanto installation manual



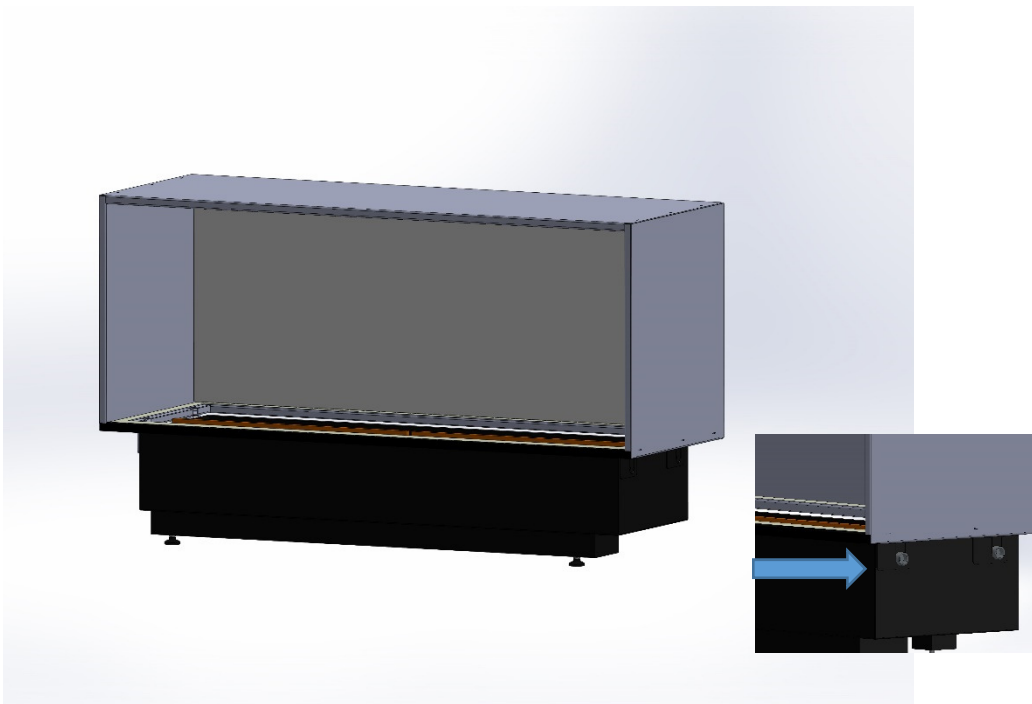
Assemble the 4 supplied mounting brackets under the housing of the Incanto. The positions have already been determined. Attention: the slots have to correspond with the notch in the housing.



Assemble the housing against the wall at the height that you have determined. Use the supplied screws and plugs.

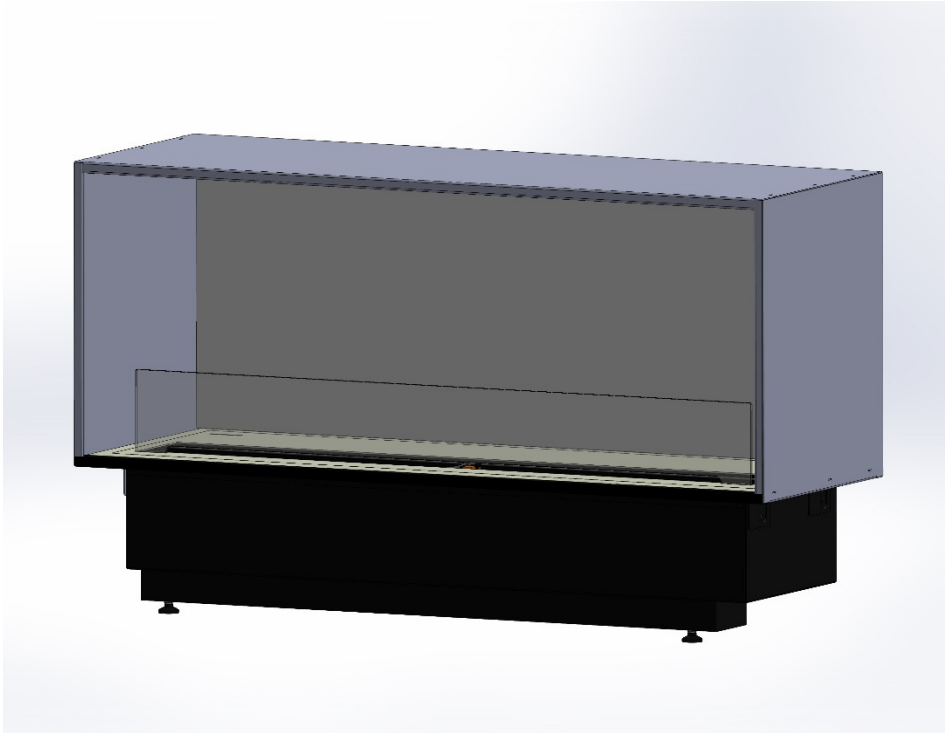


Carefully mount the glass back plate with the supplied sucking cups (orange part). Place it on the glass back plate and pull the levers when you put pressure on the glass. Attention: Convince yourself that the sucking cups have been mounted to the glass in the right way and that they have enough adhesive strength.



Place the Mistero unit in the housing. The round tabs on the unit exactly fit into the openings of the housing till the unit finally stick in the four mounting brackets.

Please take care that you already place the plug into the socket before installation. If you have installed the unit, you can fill the water tanks. For the first installation you need to fill twice, as the first content will almost entirely used to fill the reservoir.



Now you can turn on the fireplace with the power button (0-1). After this you can place the stainless steel top plate with the corresponding glass plate.

Now the installation of the fireplace is completed and you can use it. Enjoy!